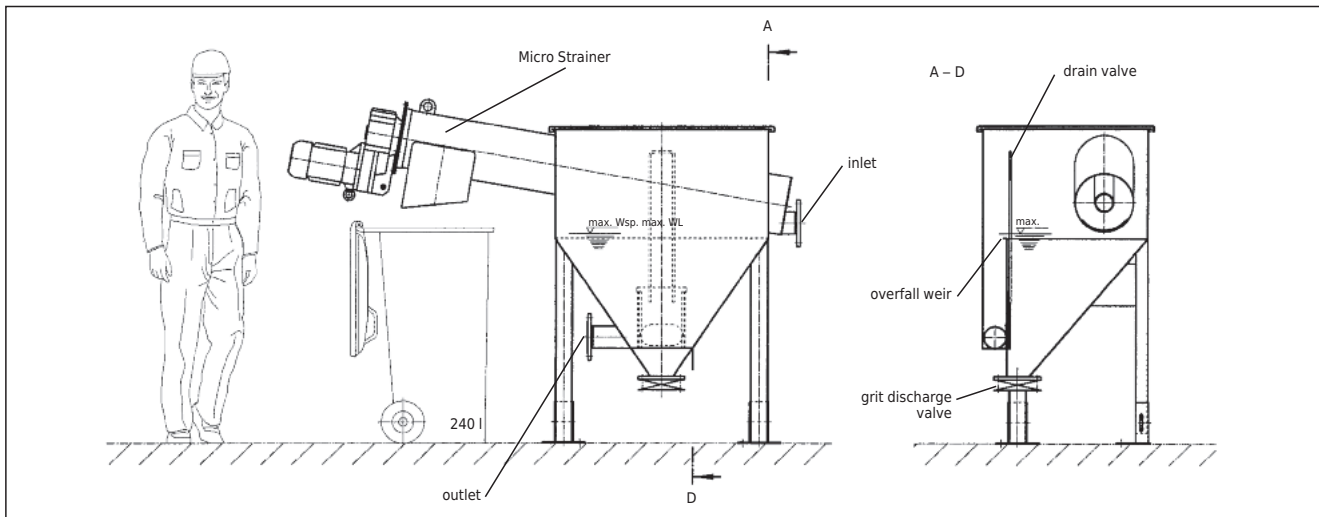


# HUBER Mini Complete Plant MiniCop



Cost-effective screenings and grit removal

- For flow rates up to 5 l/s
- Compact design
- Easy-to-operate



## ►► The problem:

The requirement is a low-cost and space-saving machine for separation of screenings and grit, which is easy to operate and needs only minimum maintenance.

## ►► Our solution:

The HUBER Mini Complete Plant MiniCop is based on the well-proven principle of the HUBER Micro Strainer ROTAMAT® Ro9. The integrated Micro Strainer separates the screenings prior to discharging them in dewatered condition. The screened wastewater flows out of the screen basket into the grit trap tank situated below the basket and is finally discharged over an overfall weir. Grit removal is achieved by means of the unaerated grit trap principle. Discharge of the separated grit is controlled by means of two manually operated valves. While the drain valve is used to drain the supernatant liquor over the grit bed, the grit is discharged from the conical tank part into a skip by means of the grit discharge valve.

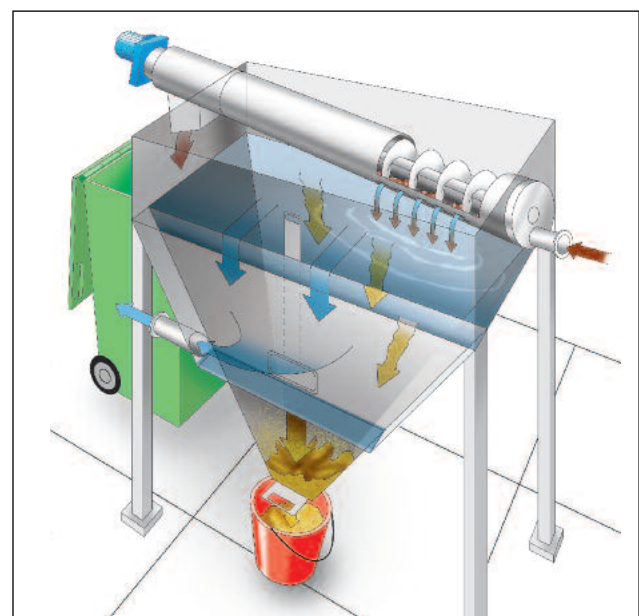
## ►► Applications:

The HUBER Mini Complete Plant MiniCop is designed for small sewage treatment plants, flow rate up to 5 l/s, and is suitable for installation in upstream of pond plants, SBR plants, aeration plants or fixed bed aeration plants.

For the first time, a cost-effective preliminary screen is available that ensures the operational reliability and efficiency of the biological treatment stage.

## ►► Advantages:

- Compact design
- Excellent cost-effective technical solution for small flow rates
- Protection of downstream biological treatment stages against tressing and sediments
- Completely made of stainless steel (including the screw)



## HUBER SE

Industriepark Erasbach A1 · D-92334 Berching  
 Phone: + 49 - 84 62 - 201 - 0 · Fax: + 49 - 84 62 - 201 - 810  
 info@huber.de · Internet: www.huber.de

Subject to technical modification  
 0,15 / 7 - 5.2016 - 9.2004

HUBER Mini Complete Plant MiniCop